

The griphoist®/tirfor® lifting and pulling hoist is safe, reliable and efficient. Suitable for many applications, the griphoist®/tirfor® is a lever-operated wire rope hoist using a separate wire rope. One-man operated, using a telescopic operating handle, it can work in any position and over any height of lift. It can replace conventional winches and other hoists for many applications. Best uses are when doing long pulls or when requirements call for increasing capacity.

It is possible for lifting and pulling applications to increase the capacity of the griphoist®/tirfor® by using multiple sheave blocks without the user being directly in front of load.

The TU series is in daily operations on construction sites around the world putting power where it is needed for lifting, pulling and handling a wide variety of loads.

MULTIPLE OPERATION

- Works in any position: horizontal, vertical or angled
- Unlimited length of wire rope
- Increase the nominal capacity with multiple sheave blocks
- Long length of wire rope much easier to handle than chain

SIMPLE

- Fast and easy installation and use
- Simple to install or remove the wire rope
- Continuous operation without jerking
- Reduced maintenance with simple cleaning and regular lubrication
- Change from forward to reverse operation by transferring the operating handle from one lever to another

HEAVY DUTY

- High mechanical advantage
- Both ranges will operate in the most difficult conditions

SAFE AND RELIABLE

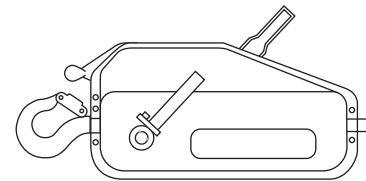
- The load is always permanently controlled in the utmost precision: when operation stops, the load is distributed on two jaw blocks
- Each hoist is equipped with overload shear pins

APPLICATIONS

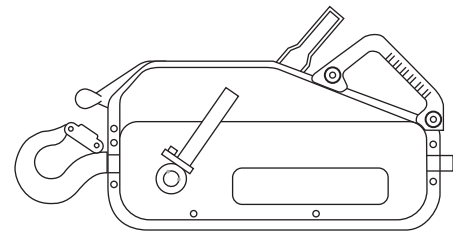
- Construction
- Public works
- Civil engineering
- Bridges
- Steel structures
- Industry
- Escalators, elevators
- Electricity and telecommunications
- Oil and chemical industries
- Entertainment

STANDARDS

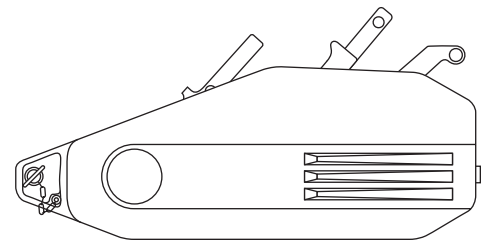
- UL certified for man-riding



griphoist®/tirfor®
TU17

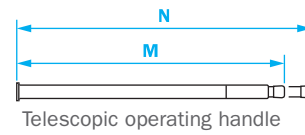
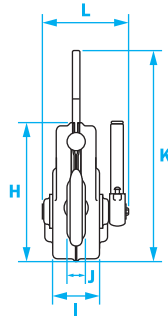
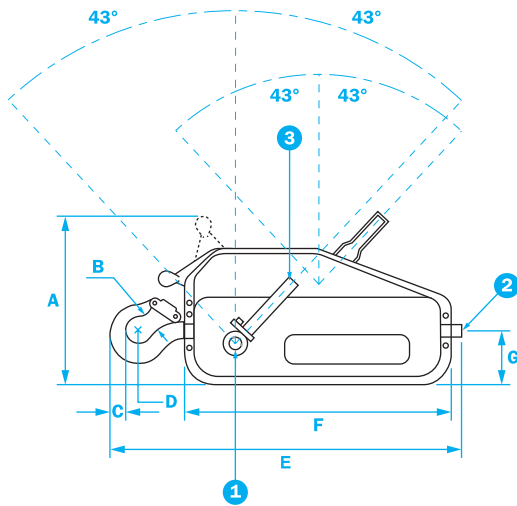


griphoist®/tirfor®
TU28



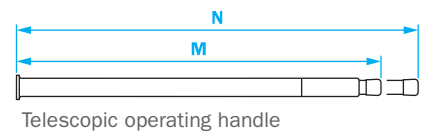
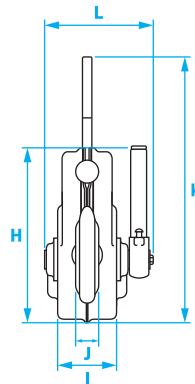
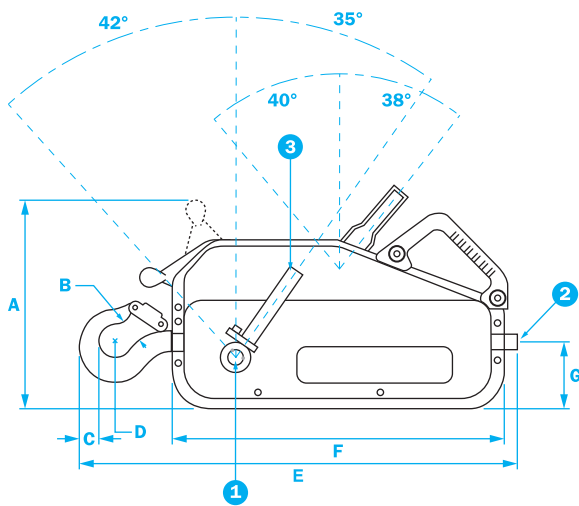
griphoist®/tirfor®
TU32

griphoist[®]/tirfor[®] TU17

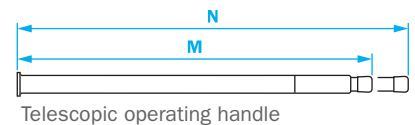
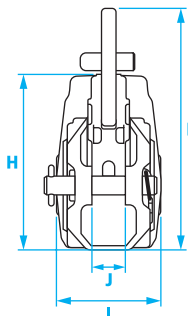
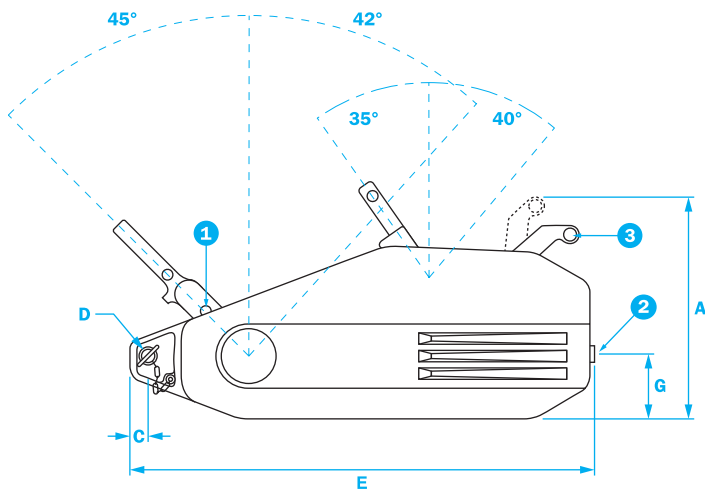


1. Shear pin
2. Rope entry
3. Spare shear pins

griphoist[®]/tirfor[®] TU28



griphoist[®]/tirfor[®] TU32



MODEL	TU17	TU28	TU32	
Nominal capacity	2,000 lbs. for material handling 1,500 lbs. for man-riding	4,000 lbs. for material handling 3,000 lbs. for man-riding	8,000 lbs. for material handling 6,000 lbs. for man-riding	
Wire rope dia.	5/8 in. (8.4 mm)	7/8 in. (11.5 mm)	1 in. (16.3 mm)	
Effort on control lever	Forward	79 lbs. (36 kg)	119 lbs. (54 kg)	
	Reverse	40 lbs. (18 kg)	44 lbs. (20 kg)	
Rope travel per stroke	Forward	2 in. (50 mm)	2 1/4 in. (56 mm)	
	Reverse	2 3/4 in. (60 mm)	2 3/4 in. (70 mm)	
Min. wire rope breaking strength	10,000 lbs. (4,500 kg)	20,000 lbs. (9,000 kg)	40,000 lbs. (18,000 kg)	
DIMENSIONS	A	10 3/8 in. (270 mm)	12 13/16 in. (325 mm)	12 15/16 in. (328 mm)
	B	1 1/4 in. (32 mm)	1 1/2 in. (38 mm)	-
	C	1 3/8 in. (30 mm)	1 3/8 in. (30 mm)	1 1/8 in. (28 mm)
	D	1 3/8 in. (40 mm)	1 7/8 in. (48 mm)	1 1/8 in. (28 mm)
	E	20 7/8 in. (530 mm)	26 in. (660 mm)	27 7/8 in. (700 mm)
	F	15 5/8 in. (397 mm)	19 in. (483 mm)	-
	G	2 3/4 in. (70 mm)	3 3/8 in. (85.5 mm)	3 1/2 in. (93 mm)
	H	7 1/8 in. (194.5 mm)	9 5/8 in. (236 mm)	10 1/2 in. (256 mm)
	I	2 3/8 in. (58 mm)	3 1/8 in. (80 mm)	6 in. (153 mm)
	J	1 1/2 in. (28 mm)	1 1/4 in. (31 mm)	2 in. (50 mm)
	K	11 1/4 in. (285 mm)	14 3/8 in. (360 mm)	14 15/16 in. (380 mm)
	L	4 3/8 in. (110 mm)	5 1/8 in. (145 mm)	-
	M	17 15/16 in. (455 mm)	25 3/8 in. (645 mm)	26 3/4 in. (680 mm)
	N	28 15/16 in. (735 mm)	45 1/4 in. (1,150 mm)	45 1/4 in. (1,150 mm)
Wire rope weight	8 lbs./30 ft. (3.6 kg/9 m)	28.9 lbs./60 ft. (13 kg/18 m)	8 lbs./30 ft. (3.5 kg/9 m)	
Unit weight	18.7 lbs. (8.4 kg)	41 lbs. (18.6 kg)	64 lbs. (29 kg)	

Specifications are subject to change without notice. Images are for illustrative purposes only.